

IP55 : Suitable for Wet Locations  
 IK08 : Impact Resistant (Vandal Resistant)

## UTU-10167 Taurus 2 bollard LED

A decorative bollard with a symmetrical light distribution with options of energy saving compact fluorescent, metal halide and high pressure sodium lamps. Developed to compliment the Taurus range of pillar light, light column and wall light luminaires. Designed for various applications including entrances, gardens, precincts and pathways.

Extruded aluminum column and low copper content die cast housing with high corrosion resistance. Stainless steel screws. Durable silicone rubber gasket and clear or opal impact resistant UV stabilized polycarbonate diffuser. Housing is treated with a chemical chromated protection before powder coating, ensuring high corrosion resistance. Integral control gear Anodized high purity aluminum reflector with the clear diffuser option.

### Physical Data

Length: 7.32"  
 Height: 41.45"/42.91"  
 Weight: 18.5 lbs  
 Lamp

40w - 680lm - White - LED ☉

### LED Color (Please Specify)

W27 - 2700K  
 W30 - 3000K  
 W40 - 4000K

### Voltage (Please Specify)

120V  
 277V  
 Other \_\_\_\_\_

### Options (Please Specify)

#### Color (Please Specify)

01-Black - RAL 9011       02- Dark Grey - RAL 7043  
 03-White - RAL 9003       04 - Metallic Silver - RAL 9006  
 05-Matt Silver - RAL 9006       07- Custom - RAL \_\_\_\_\_  
 06-Bronze - RAL 6014



#### Top Style



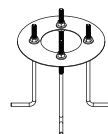
#### Diffuser



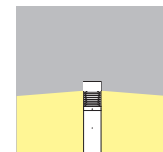
#### Light Shields



#### Mounting Accessories



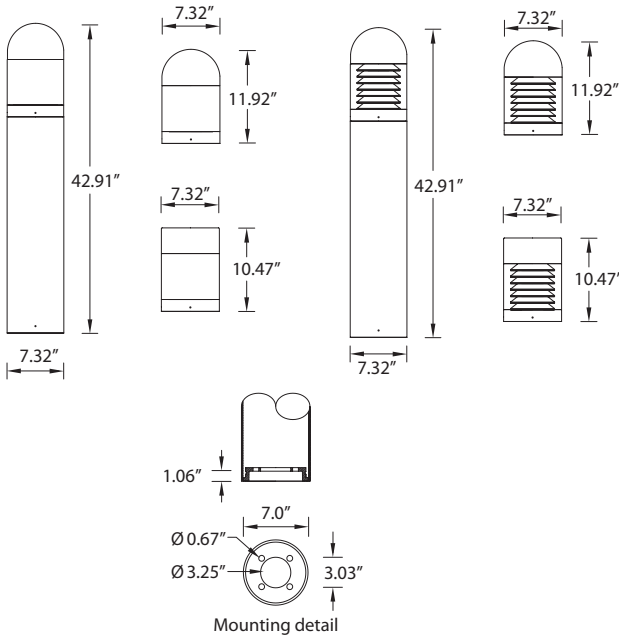
Specify Custom Height \_\_\_\_\_ ft



(O) Opal Diffuser



(C) Clear Diffuser



Ordering Example : UTU - 10167 - White - 40w - W30 - 120v - Options

PROJECT: \_\_\_\_\_ DATE: \_\_\_\_\_

TYPE: \_\_\_\_\_ QUANTITY: \_\_\_\_\_ NOTE: \_\_\_\_\_

Ligman Lighting USA reserves the right to change specifications without prior notice, please contact factory for latest information. Due to the continual improvements in LED technology data and components may change without notice.